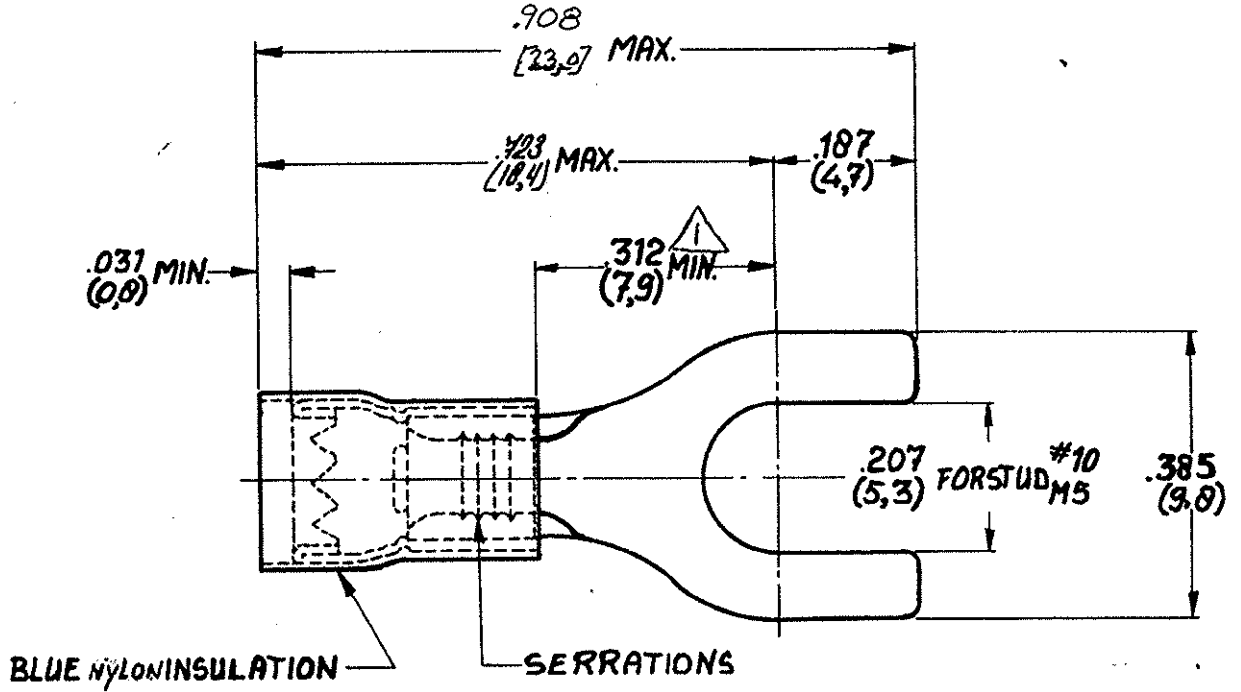


NUMBER C-160170



⚠ FROM EDGE OF METAL WIRE BBL TO CENTER OF STUD HOLE

MATERIAL THICKNESS .033 [0.83] MAX

CUSTOMER COPY FOR REFERENCE ONLY

©1971 BY AMP-HOLLAND N.V. ALL RIGHTS RESERVED A-MP PRODUCTS COVERED BY PATENTS AND/OR PATENTS PENDING.



AMP-HOLLAND N.V.
's-HERTOGENBOSCH
HOLLAND

| | | |
|---|---|-------------------------------------|
| WIRE RANGE 16-14 AWG 10-2.6 mm ² | INSUL. RANGE .115-.110 DIA. 2.9-4.3 | FIRST-USED TOL 3PL = ±.008 [0.2] |
|---|---|-------------------------------------|

DIMENSIONS IN M.M. DO NOT SCALE PRINT

| | | |
|-----------------------|----------|---|
| 160170 | COPPER | TIN |
| ORDER NO. | MATERIAL | PLATING |
| DR <i>Q. of 11/20</i> | DATE DE | DATE |
| CHK | DATE | APP. <i>[Signature]</i> DATE <i>11-1971</i> |

| | | | | |
|--------------|----------|-----------|----------------|----------|
| SCALE 4:1 | LOC H | SIZE A | NO C-160170 | REV C |
|--------------|----------|-----------|----------------|----------|

NAME P.I.D.G. SPADE